



SPECIFICATION

PART NO.:QM-MIT-01

Lighting Lifter

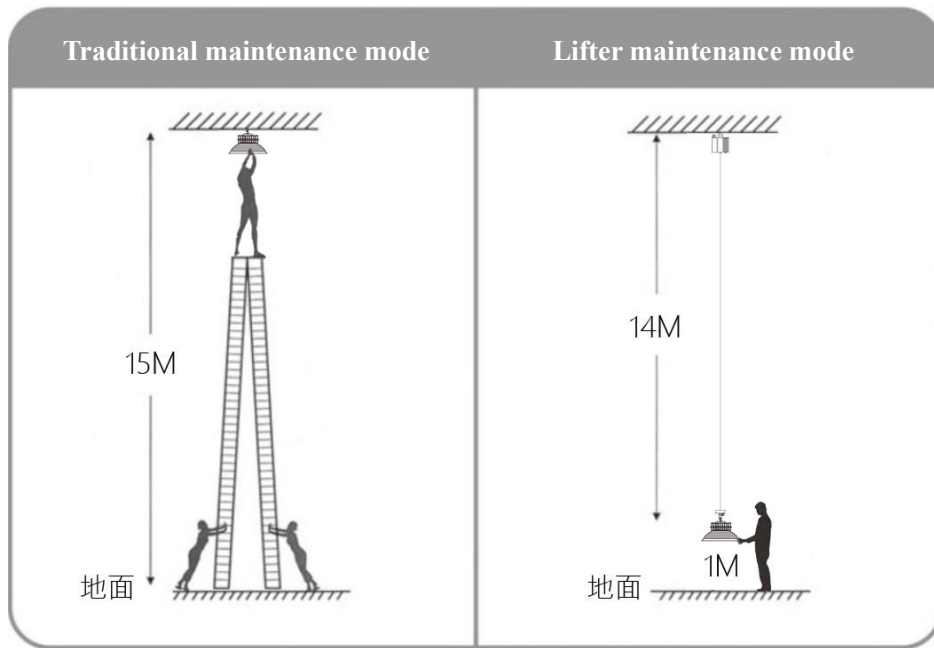
(Mining chandelier lifter)

IP54 CNS15015 CNS15233

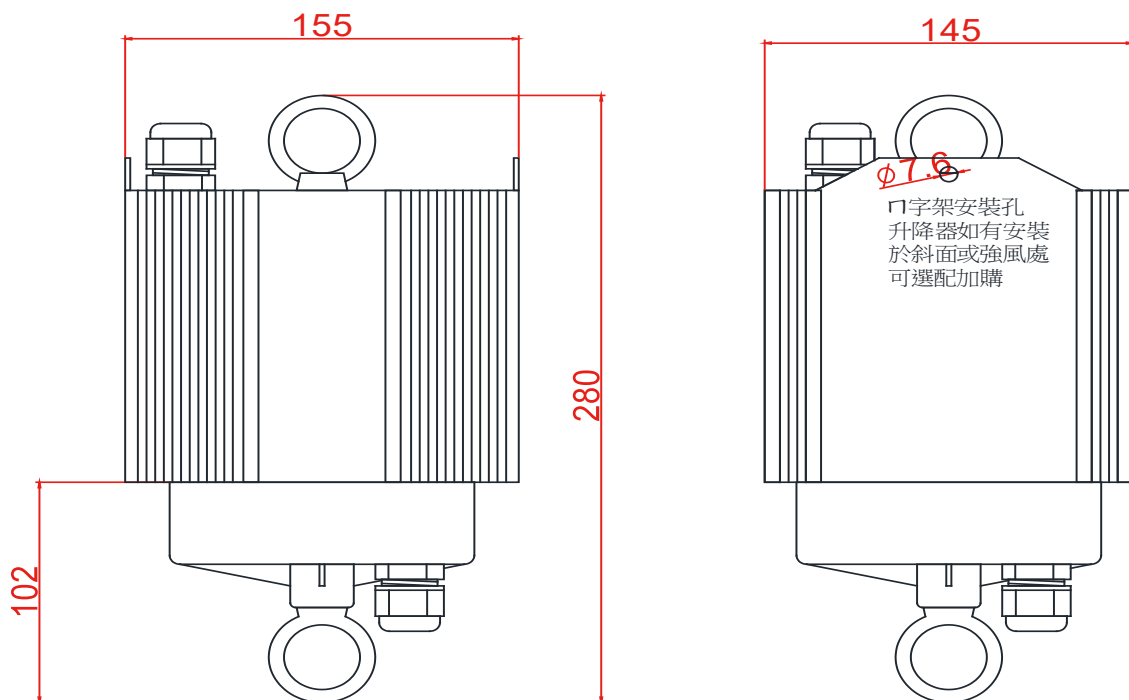
Made in Taiwan

1. Introduce :



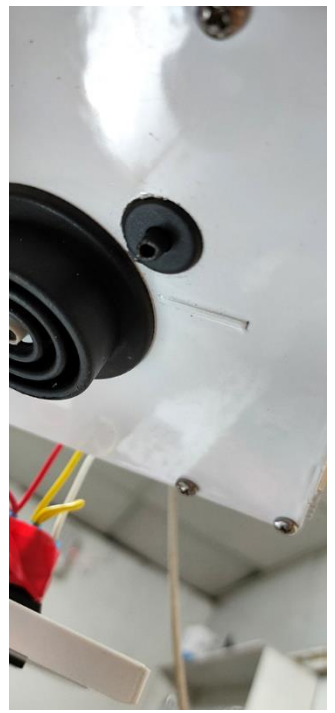

When cleaning, repairing or replacing the lamp, because of the [Lighting Lifter MIT-01], the high patio lamp can avoid the use of high-altitude equipment and personnel to climb, so that the personnel can use remote control or wire control on the ground to lower the patio lamp to the height of the working surface, which is convenient and fast to enable personnel to complete the work, and avoid the danger of falling from the height and electric shock. This way is simple and fast, the production wire downtime is short, and it can be operated without professional electricians.




2. Size (mm) :



3. Appearance description

			
Steel cable Φ 1.5mm	7 bracket fixing hole	Interaction when rising to the top	Power indicator light

4. Specification

QM-MIT01	
Power consumption (W)	40W
Weight (KG)	3.9 KG
Voltage (V)	AC 220V or AC 110V(Select one according to order requirements)
Current (A)	AC 220V : 0.1A / AC 110V : 0.2A
Standard load	1~12KG
Steel cable material	SUS304 stainless steel
Profile of the steel cable	 <p>7*7</p>
Safe load of steel cable	18.75KG
Breaking load of steel cable	215KG
Average speed of lifting	Average rate of rise: \leq 1.3m/min Average rate of decwire : \leq 1.5m/min
Lifting height	Standard 15M (other lengths can be customized)
Applicable space height	Space height below 16M
Stainless steel cable	Φ 1.5mm
Size	155mm*145mm*280mm

5. Content Inventory



Noumenon



Remote control*1

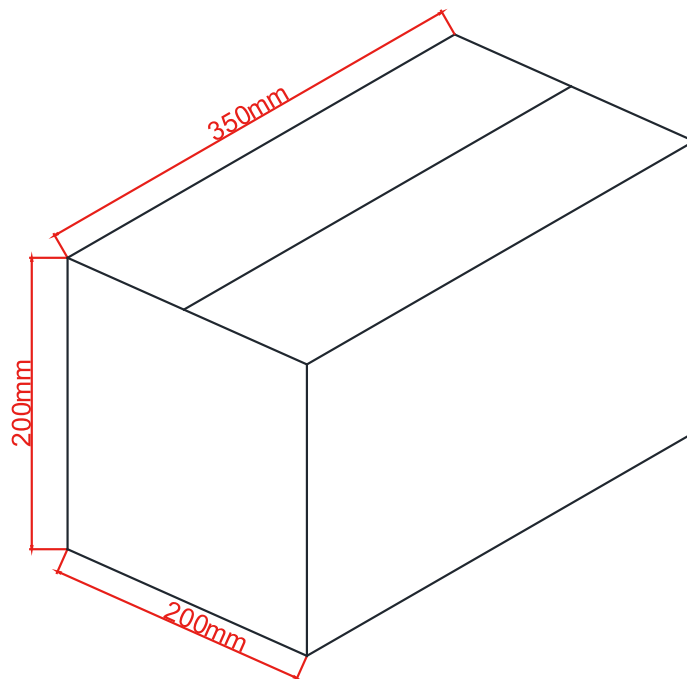


Snap ring*1



Specification

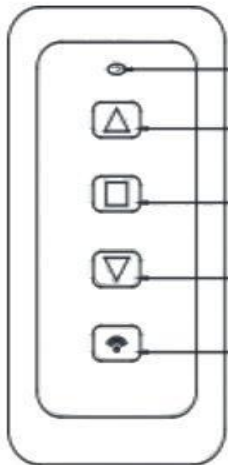
6. Carton size



7. Installation and control

The power wires are connected to the black and red wires of the power input. The white wire are grounded

Wire control terminal station
R: Red wire
W: White wire
Y: Yellow wire



indicator light

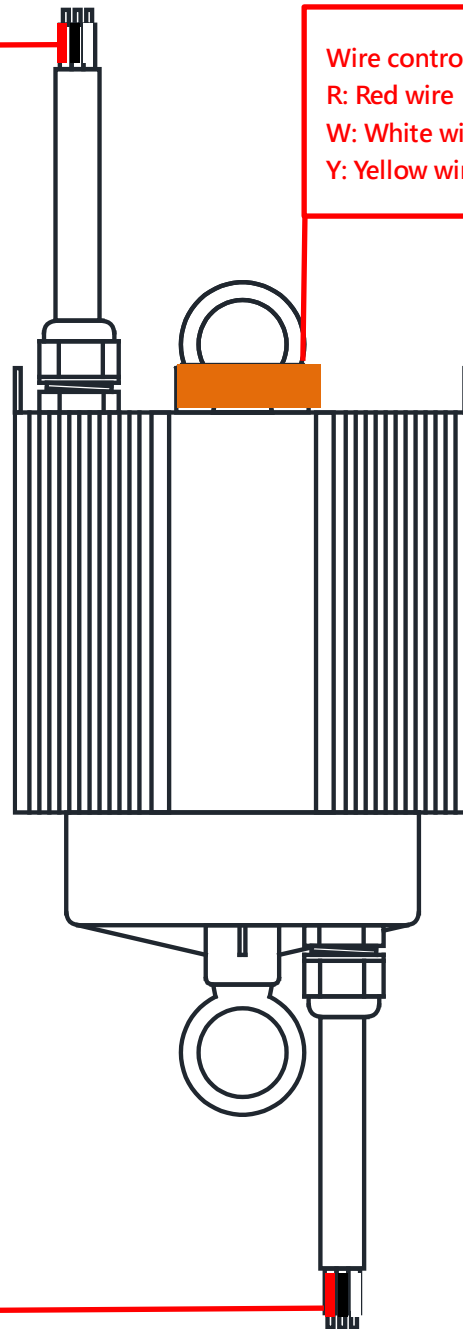
Luminaire rise

Luminaire stop

Luminaire decline

Frequency matching button

Within 10 seconds after the lamp regulator is powered on, press and hold (Frequency matching button) for about 15 seconds to correct the frequency.

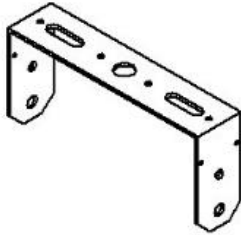


The black and red wires are connected to the L and R of the luminaire, respectively
The green wire is grounded

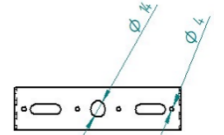
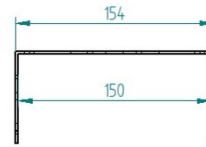
8. Selection



Add a group of controllers to realize dual control. If one group of controllers fails, the standby controller can be used.



Mounted on the hypotenuse or fixed to the top.



The universal hanger is suitable for mounting on C steel or H steel beams.



The cable can be upgraded to 20M or $\Phi 2.0$ wire diameter can be used.



Through the wall cut switch, it can be connected to multiple groups of elevators at the same time. We can also customize wire control group electrical box, please contact business for details.